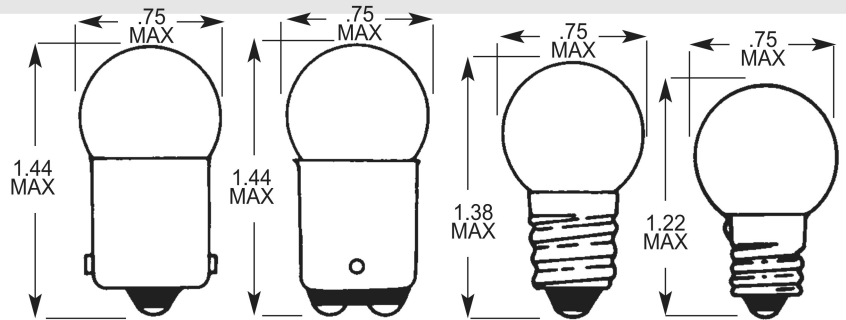




# G-6 MINIATURE LAMPS

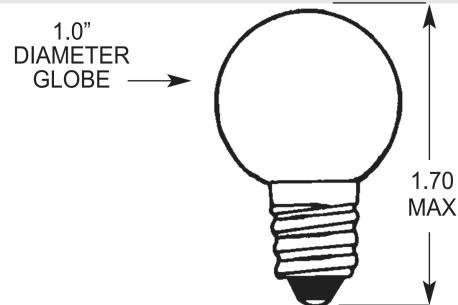
\* Specifications for Second Filament



| LINE NO. | VOLTS  | AMPS  | MSCP (W) | LIFE  | FILAMENT | Single Contact Bayonet | Double Contact Bayonet | Candelabra Screw | Miniature Screw |
|----------|--------|-------|----------|-------|----------|------------------------|------------------------|------------------|-----------------|
| 1        | 3.45   | 0.84  | 2.0      | 250   | C-2R     | 61                     |                        |                  |                 |
| 2        | 4.00   | 1.75  | (7.0)    | 100   | C-2R     |                        | 80 (11-170)            |                  |                 |
| 3        | 5.80   | 1.10  | 8.1      | 50    | C-2R     |                        |                        |                  | 157             |
| 4        | 5.80   | 1.10  | 7.9      | 50    | C-2R     |                        |                        |                  | 153             |
| 5        | 6.50   | 1.02  | 6.0      | 500   | C-2R     | 81                     | 82                     | 81K              |                 |
| 6        | 7.00   | 0.63  | 3.0      | 1,000 | C-2R     | 63                     | 64                     | 63K              |                 |
| 7        | 12.00  | 0.26  | 2.3      | 250   | C-2V     |                        |                        | 1471             |                 |
| 8        | 13.00  | 0.53  | 6.0      | 750   | C-2R     |                        |                        | 89K              |                 |
| 9        | 13.00  | 0.58  | 6.0      | 750   | C-2R     | 89                     | 90                     |                  |                 |
| 10       | 13.50  | 0.59  | 4.0      | 5,000 | C-2R     |                        | 68                     |                  |                 |
| 11       |        |       |          |       |          |                        |                        |                  |                 |
| 12       | 13.50  | 0.59  | 4.0      | 5,000 | C-2R     | 1155                   |                        |                  |                 |
|          | 13.50  | 0.59  | 4.0      | 5,000 | C-2R     | *                      |                        |                  |                 |
| 13       | 13.50  | 0.41  | 4.0      | 1,500 | C-2R     |                        |                        | 67K              |                 |
| 14       | 13.50  | 0.59  | 4.0      | 5,000 | C-2R     | 67                     |                        |                  |                 |
| 15       | 13.50  | 0.69  | 4.0      | 5,000 | C-2V     | 97                     | 1178 (96)              |                  |                 |
| 16       | 13.50  | 0.74  | (10)     | 750   | C-2R     | R10W                   |                        |                  |                 |
| 17       | 14.00  | 0.63  | 6.0      | 1,000 | C-2R     | 631                    | 632                    |                  |                 |
|          | 14.00  | 0.63  | 6.0      | 1,000 | C-2R     | *                      | *                      |                  |                 |
| 18       |        |       |          |       |          |                        |                        |                  |                 |
| 19       | 22.00  | 0.18  | 3.0      | 200   | C-2V     | 71                     | 72                     | 71K              |                 |
| 20       | 24.00  | 0.18  | 2.8      | 1,000 | C-2F     | 509                    |                        | 509K             |                 |
| 21       | 28.00  | 0.23  | 3.0      | 2,000 | C-2V     | 1251                   | 1252                   |                  |                 |
|          | 28.00  | 0.23  | 3.0      | 2,000 | C-2V     | *                      | *                      |                  |                 |
| 22       | 28.00  | 0.30  | 6.0      | 500   | C-2F     | 303                    | 304                    |                  |                 |
| 23       | 28.00  | 0.37  | 6.0      | 1,000 | C-2V     | 623                    | 624                    |                  |                 |
|          | 28.00  | 0.37  | 6.0      | 1,000 | C-2V     | *                      | *                      |                  |                 |
| 24       | 32.00  | 0.16  | 4.0      | 200   | C-2F     |                        |                        | 1224K            |                 |
| 25       | 34.00  | 0.16  | 3.8      | 275   | C-2F     | 1223                   | 1224                   |                  |                 |
| 26       | 45.00  | 0.20  | 5.2      | 1,500 | C-2F     |                        | 536                    |                  |                 |
| 27       | 120.00 | 0.042 | (5.0)    | 2,500 | C-5A     |                        |                        | 5G6-120V-CS      |                 |

# G-8 MINIATURE GLOBE LAMPS

\*Available in transparent colors:  
RED, GREEN, YELLOW, AMBER, BLUE, WHITE, PINK



| LINE NO. | VOLTS | AMPS  | WATTS | LIFE  | FILAMENT | *FINISH | CANDELABRA SCREW BASE |
|----------|-------|-------|-------|-------|----------|---------|-----------------------|
| 28       | 120.0 | 0.058 | 7.0   | 5,000 | C-5A     | CLEAR   | 7G8-120V-CS (CLEAR)   |