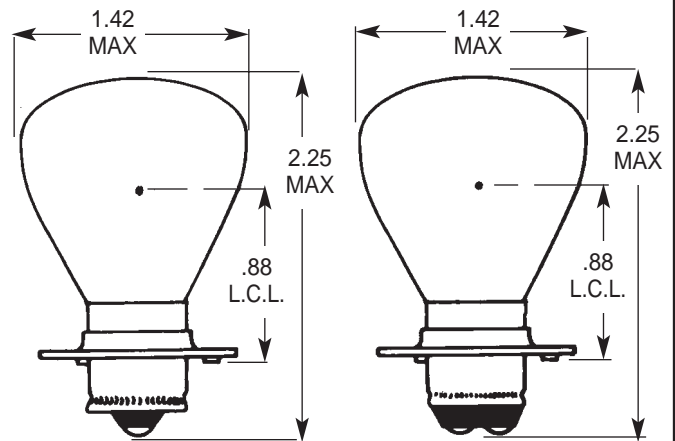




RP-11 MINIATURE PREFOCUS LAMPS

HIGH INTENSITY

* Specifications for Second Filament



| LINE NO. | VOLTS | AMPS | MSCP (WATTS) | LIFE | FILAMENT | SINGLE CONTACT PREFOCUS BASE | DOUBLE CONTACT PREFOCUS BASE |
|----------|-------|------|--------------|------|----------|------------------------------|------------------------------|
| 1 | | | | | | | |
| 2 | 4.50 | 1.25 | 5.70 | 75 | C-6 | 1021 | |
| 3 | 5.90 | 4.66 | 32.00 | 400 | C-6 | | 2331 |
| 4 | 6.20 | 4.49 | 32.00 | 400 | C-6 | | * |
| 5 | 5.90 | 4.66 | 32.00 | 400 | C-6 | | 2338 |
| 6 | 6.20 | 4.49 | 32.00 | 400 | C-6 | | * |
| 7 | 5.90 | 6.53 | 50.00 | 200 | C-2V | | 2530 |
| 8 | 6.20 | 4.23 | 32.00 | 200 | C-2V | | * |
| 9 | 5.90 | 6.36 | 50.00 | 200 | C-6 | 1501 | |
| 10 | 5.90 | 6.53 | 50.00 | 200 | C-2V | 1503 | |
| 11 | | | | | | | |
| 12 | 6.00 | 2.35 | 19.00 | 75 | C-6 | 1025 | |
| 13 | 6.10 | 4.10 | 32.00 | 125 | C-6 | 1209 | |
| 14 | 6.20 | 4.23 | 32.00 | 200 | C-2V | | 2330 |
| 15 | 6.20 | 4.23 | 32.00 | 200 | C-2V | | * |
| 16 | 6.20 | 4.10 | 32.00 | 200 | C-6 | 1321 | |
| 17 | 6.20 | 4.13 | 32.00 | 200 | C-2V | 1323 | |
| 18 | 6.20 | 4.13 | 32.00 | 200 | C-2V | 1325 | |
| 19 | 12.50 | 3.00 | 50.00 | 300 | C-2V | 1507 | |
| 20 | | | | | | | |
| 21 | 12.50 | 2.23 | 32.00 | 300 | C-2V | | 2336 |
| 22 | 12.50 | 2.10 | 32.00 | 300 | C-2R | | * |
| 23 | 12.80 | 2.08 | 32.00 | 300 | C-2V | 1327 | |
| 24 | | | | | | | |
| 25 | 28.00 | 1.07 | (30WATT) | 200 | CC-2V | 30RP11/SCP | |